

TECHNICAL DATA

Actiflex

STADIUM

Building height: 29mm

Board: 14 x 215 x 2200mm + HDF board 7mm

Format: 3-strip

Maximum floor size: 600 m²

CE



Low Floor
Elevation



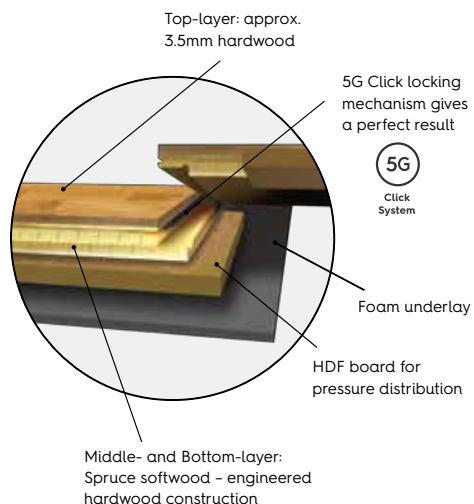
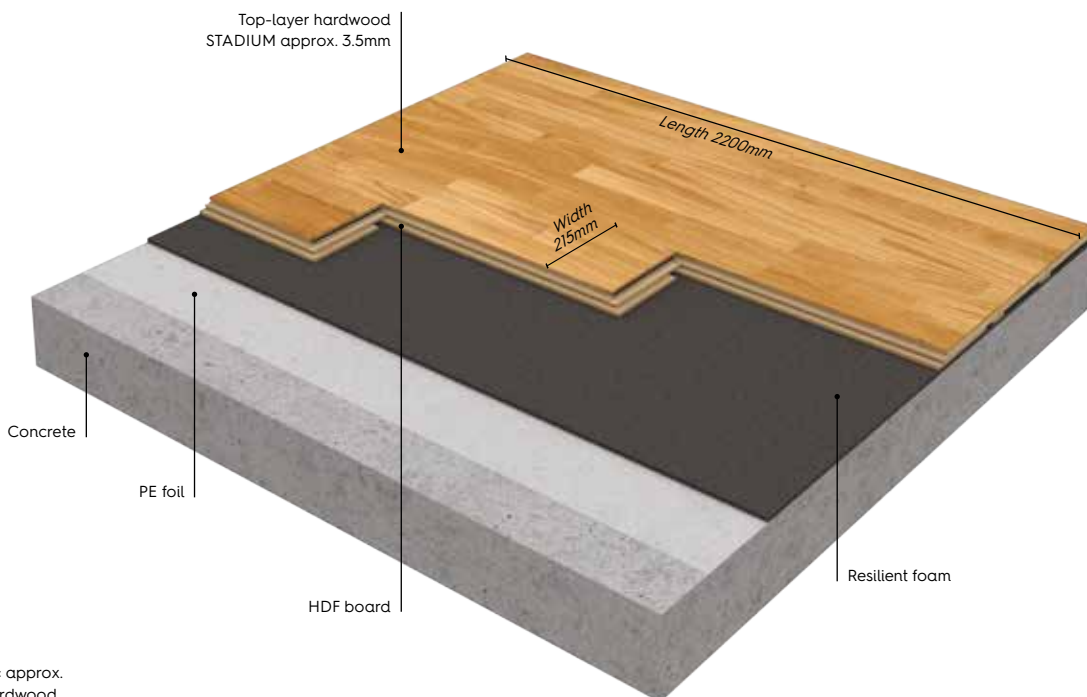
Additional
Colour Choice



Quick and
Easy



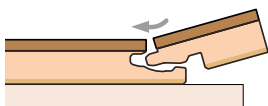
No Tool
Required



Performance according to EN14904	Shock absorption		Deformation		Friction	Ball bounce	Rolling load
	TYPE 3: ≥ 40% ≤ 55%	TYPE 4: ≥ 55% ≤ 75%	TYPE 3: ≥ 1.8mm ≤ 3.5mm	TYPE 4: ≥ 2.3mm ≤ 5.0mm			
Actiflex STADIUM		61%		3.3mm	87	97%	OK



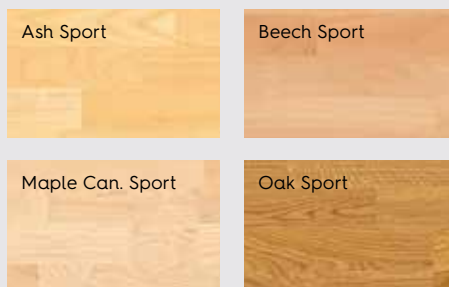
3-strip



Clic

Wood species / Grading

Package overview



Pack size: 4 boards = 1.89 m² (19.2 kg)
 Pallet size: 36 bundles = 68.04 m² (691.2 kg)

Actiflex Stadium Construction Details		Height
Actiflex Stadium · Hardwood top-layer 3.5mm · Middle layer and bottom layer spruce · HDF board glued to bottom	Actiflex size: 21 x 215 x 2200mm Actiflex Stadium board: 14 x 215 x 2200mm + HDF board 7mm	21mm
Resilient foam	8 x 1500 x 2000mm	8mm
Perimeter strips	15 x 100 x 1800mm	✓
PE foil (ordered separately)	Special requirement for new buildings: 2 layers of 0.2mm. It is not a moisture barrier, but gives to the floor an extra protection.	0.4mm
Construction height		29mm

MAINTENANCE

We recommend starting a regular system of maintenance from day one. The amount of maintenance your floor requires will depend on how you use and treat it. For more information: boensport.com

ENVIRONMENT

BOEN Sport flooring is a product of natural materials. Respect for nature is reflected in our processing and management of raw materials. BOEN constantly seeks methods for processing the raw materials in the most gentle and sustainable manner possible.

FSC™ (Forest Stewardship Council) is a global non-profit organization, which promotes worldwide environmentally appropriate, socially beneficial, and economically viable management of the world's forests.

FSC™-certified products are controlled along the whole supply chain in order to separate it from non-certified wood. They are made from wood sourced from responsibly managed forests and other controlled sources. The FSC™-trademark ensures that the wood has been harvested in a responsible way for animals, people and the environment. Buying such products helps to save our forests. More information on: www.fsc.org.

Read more on boensport.com



The mark of responsible forestry



www.realwood.eu